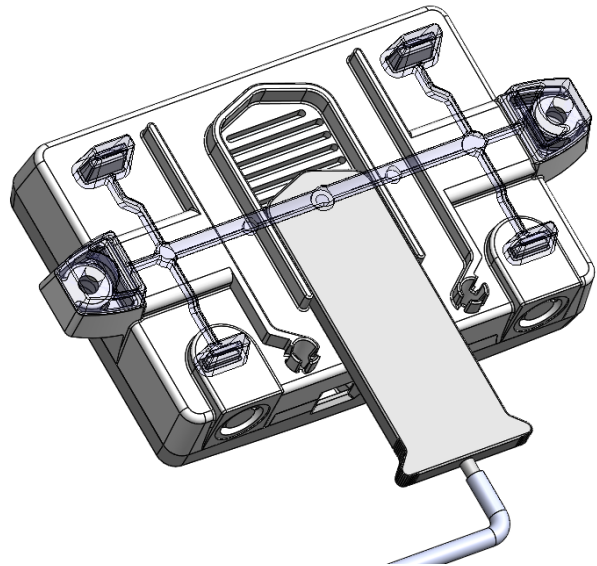
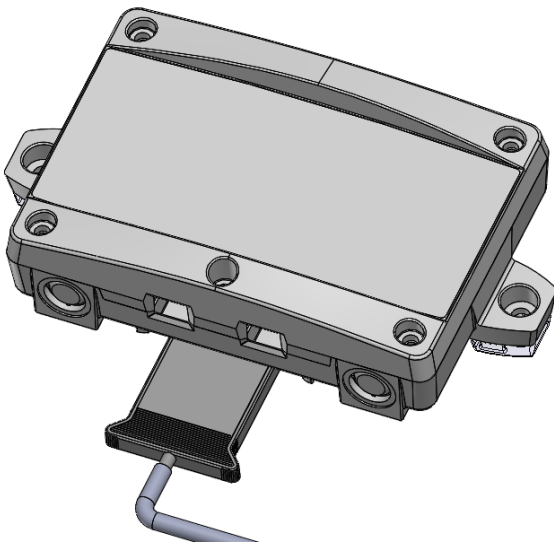


## Gas injection tool KIT for LogiCO2 Mk9/Mk90 Safety Systems



### FUNCTION

The gas injection tool is used to determine if the sensor is exposed to fresh air frequently, which is necessary for the function of the automatic calibration. Slide the plastic tool up underneath the sensor to reach the air intake on the back. Connect the tool to your predefined gas container. Apply gas to the sensor and read the value on the display. The KIT includes, calibration control tool, 10 cm plastic hose and nipple connector for larger hoses.



### ORDERING EXAMPLE

Description	Item code
Gas injection tool KIT	1102